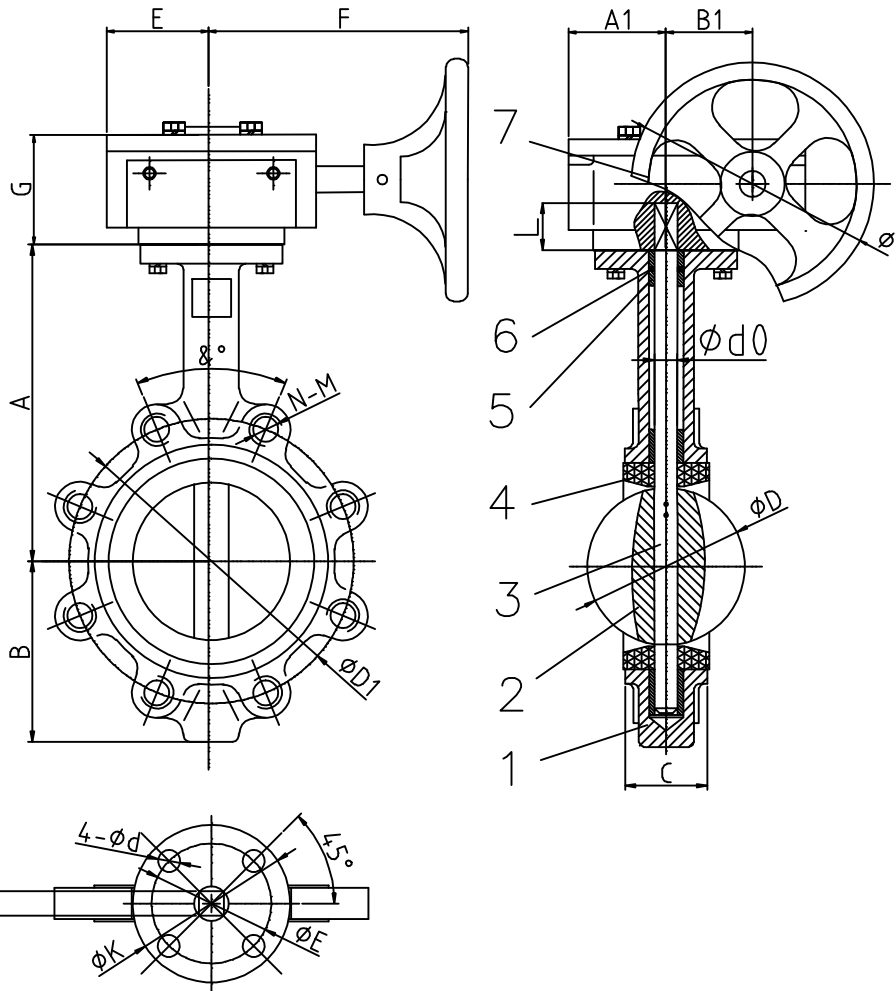


<b>LT型蝶阀尺寸表</b> The list about dimension for Lag type butterfly valve	
<b>技术规范</b> Technical specification	
设计标准: Design Standard	GB12230-00, API600
执行标准: Flange Size	GB12221, API600 ANSI 150/150
法兰标准: Flange Standard	DIN2601 PN10/PN16
连接方式: Connection Method	法兰连接 Wafer Connection
检验标准: Inspection and Test	GB12227, API600
公称压力: Nominal Pressure	1.0Mpa, 1.6Mpa, 180Lb
驱动方式: Model of Driving	手轮、电动、气动等驱动方式 Hand, electrically-driven, air-operated and so on model of operation

序号 Item	零件名称 Parts Name	材质 Material	标准 Standard
1	阀体 Body	GG25	A120B
		GG40	A536
		WCB	A216
2	阀板 Disc	GG40	A536
		CF8	A351
		CF8M	A351
3	阀轴 Stem	SS416	A276
		SS431	A276
		SS304	A276
4	阀座 Seat	EPDM	ASTM D20004
		NBR	ASTM D20004
		VITON	ASTM D20004
5	衬套 Bushing	PTFE	ASTM D638
		C964	B148
6	密封圈 O-Ring	EPDM	ASTM D20004
		NBR	D20004
		VITON	
7	齿轮箱 Gear Box	组合体 Assembling (Gear)	A536



Dimension of Body Construction

SIZE	A	B	C	D	d0	H	ISO5211	L	K	E	4- $\phi d$	G	E	F	A1	B1	$\phi$	L.O	G.O	Weight(Kg)
2"	DN50	161	80	42	52.9	12.6	11	F07	30	90	70	4-9	75	52	153	52	45	150	4.5	7.8
2.5"	DN65	175	89	44.7	64.5	12.6	11	F07	30	90	70	4-9	75	52	153	52	45	150	5.1	8.2
3"	DN80	181	95	45.2	78.8	12.6	11	F07	30	90	70	4-9	75	52	153	52	45	150	5.6	8.7
4"	DN100	200	114	52	104	15.77	11	F07	30	90	70	4-9	75	52	153	52	45	150	9.9	13
5"	DN125	213	127	54.4	123.3	18.92	14	F07	30	90	70	4-9	75	52	153	52	45	150	11.8	14.9
6"	DN150	226	139	55.8	155.1	18.92	14	F07	30	90	70	4-9	75	52	153	52	45	150	15.1	18.2
8"	DN200	260	175	60.6	202.5	22.1	17	F10	40	125	102	4-12	86	75	250	75	63	300	19.7	26.2
10"	DN250	292	203	65.6	250.5	28.45	22	F10	40	125	102	4-12	86	75	250	75	63	300	28.3	34.8
12"	DN300	337	242	76.9	301.6	31.6	22	F10	40	140	102	4-12	83	81	227	81	80	300	41.5	49.5
14"	DN350	368	267	76.5	333.3	31.6	22	F10	45	140	102	4-12	83	81	227	81	80	300	-	65.5
16"	DN400	400	309	86.5	389.6	33.15	27	F14	52	197	140	4-18	126	115	278	121	179	300	-	134.4
18"	DN450	422	328	102	440.5	38	27	F14	52	197	140	4-18	146	144	306	142	198	300	-	160.4
20"	DN500	480	361	127	491.6	41.15	36	F14	65	197	140	4-18	146	144	306	142	198	300	-	240.4
24"	DN600	564	459	152	592.5	50.65	36	F16	70	276	165	4-22	146	144	306	142	198	300	-	322.3

Dimension of Connection

2"	DN50	125	4-M16	90	125	4-M16	90	120.6	4-5/8"	90
2.5"	DN65	145	4-M16	90	145	4-M16	90	139.7	4-5/8"	90
3"	DN80	160	8-M16	45	160	8-M16	45	152.4	4-5/8"	90
4"	DN100	180	8-M16	45	180	8-M16	45	190.5	8-5/8"	45
5"	DN125	210	8-M16	45	210	8-M16	45	215.9	8-3/4"	45
6"	DN150	240	8-M20	45	240	8-M20	45	241.3	8-3/4"	45
8"	DN200	295	8-M20	45	295	12-M20	30	298.4	8-3/4"	45
10"	DN250	350	12-M20	30	355	12-M24	30	361.9	12-7/8"	30
12"	DN300	400	12-M20	30	410	12-M24	30	431.8	12-7/8"	30
14"	DN350	460	16-M20	22.5	470	16-M24	22.5	476.2	12-1"	30
16"	DN400	515	16-M24	22.5	525	16-M27	22.5	539.7	16-1"	22.5
18"	DN450	565	20-M24	18	585	20-M27	18	577.8	16-1 1/8"	22.5
20"	DN500	620	20-M24	18	650	20-M30	18	635	20-1 1/8"	18
24"	DN600	725	20-M27	18	770	20-M33	18	749.3	20-1 1/4"	18
SIZE	D1	N-M	&°	D1	N-M	&°	D1	N-M(UNC)	&°	
	DIN PN10			DIN PN16			ANSI150			